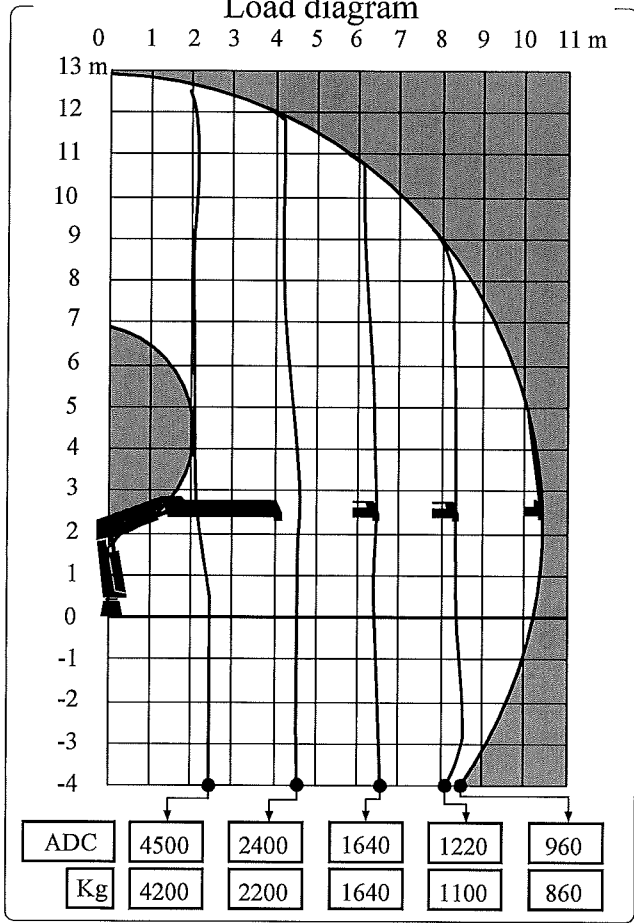
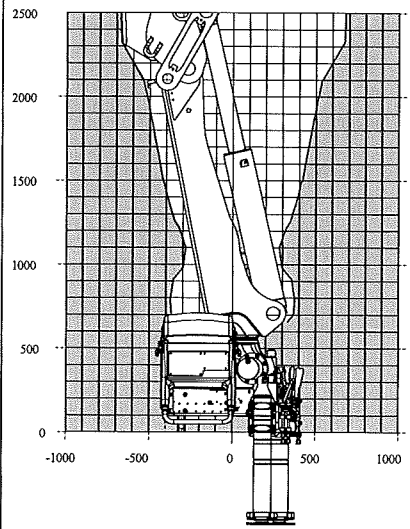


Version	HIAB 122 E-3 Duo	
M <sub>dyn</sub>		159 kNm
Lifting capacity	kNm	99
Lifting capacity	tm	10.1
Lifting capacity (ADC)	kNm	108
Lifting capacity (ADC)	tm	11.0
Outreach - lifting capacity, standard	m-kg	2.4 - 4,500
		4.6 - 2,400
		6.4 - 1,640
		8.3 - 1,220
		10.4 - 960
Outreach - lifting capacity, manual extensions	m-kg	12.6 - 760
		15.0 - 580
		17.3 - 470
Hydraulic outreach, standard	m	10.5
Hydraulic boom extension	m	5.9 m
Outreach, manual extensions	m	17.4
Lifting height above installation level, hydr/man	m	12.9 / 19.8
Rec. oil flow	l/min	45 - 50
Power needed at rec. oil flow V80	kW	-
Power needed at rec. oil flow V91	kW	-
Working pressure	Mpa	28.1
Oil in tank	l	0 - 200
Tank capacity	l	0 - 235
Slewing angle	°	190 - 415
Max slope viable at full capacity	°	6
Slewing torque, gross	kNm	16.4
Slewing speed 80	°/s	15
Slewing speed	°/s	15
Lifting speed at standard hydraulic outreach	m/s	1.7
Height in folded position	mm	2,261
Width in folded position	mm	2,426
Install space required. Rotation area not included	mm	1,063
Install space required with hose and pipe kit	mm	1,063
Weight		
Crane in standard version without support legs	kg	1,760
Top seat	kg	0
Frame attachments	kg	32 - 65
Support leg equipment	kg	244 - 385
Data sheet	HIAB 122 E-3 Duo	

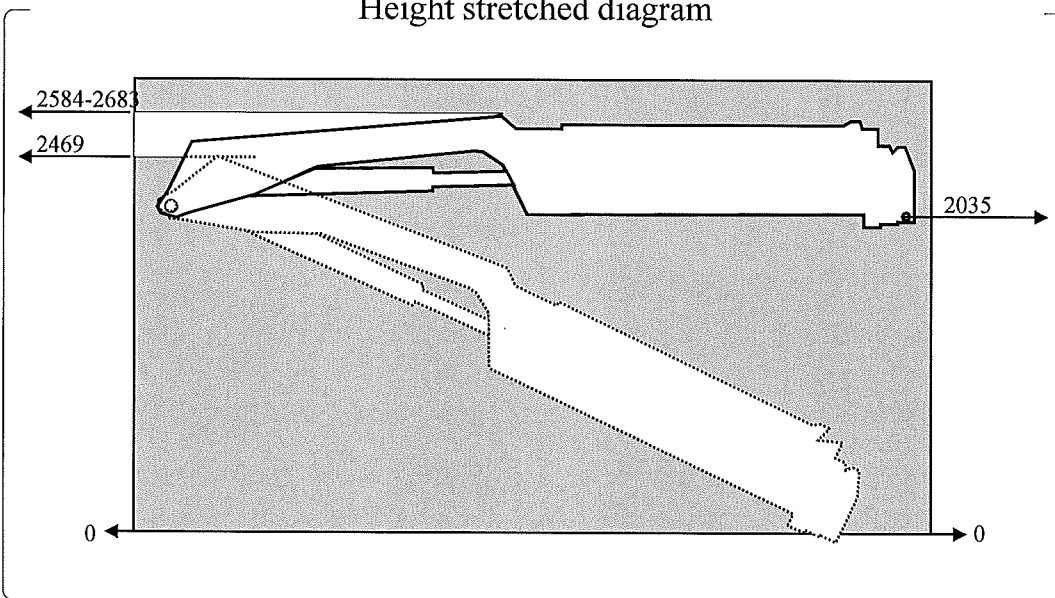
Load diagram



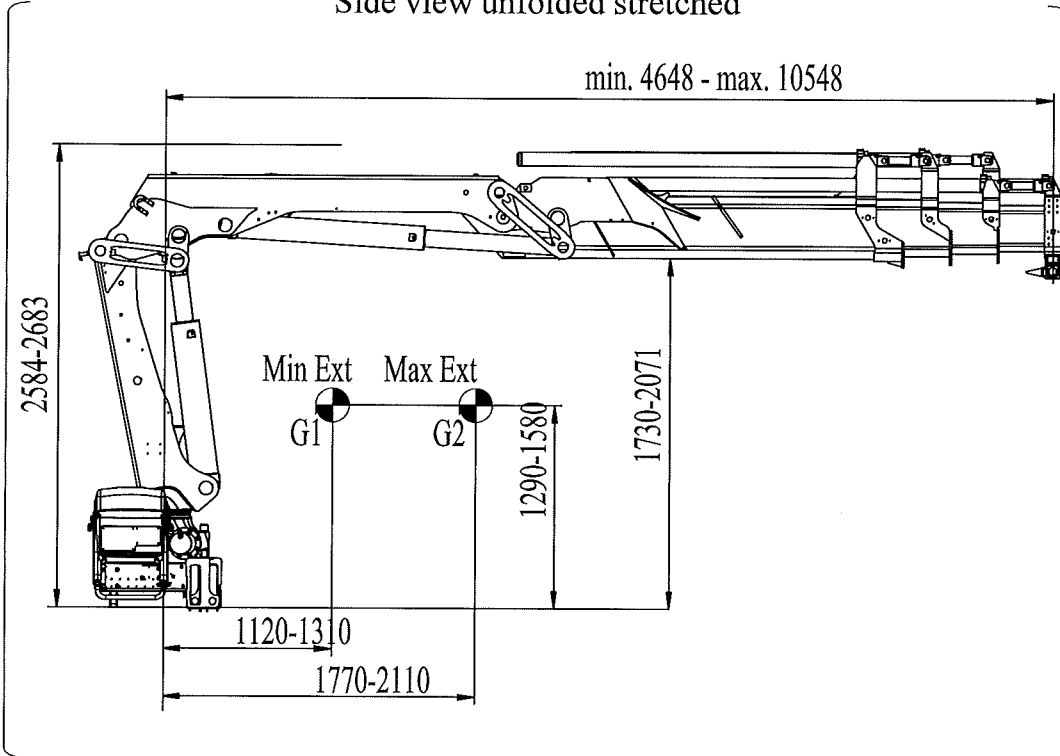
Rotation diagram



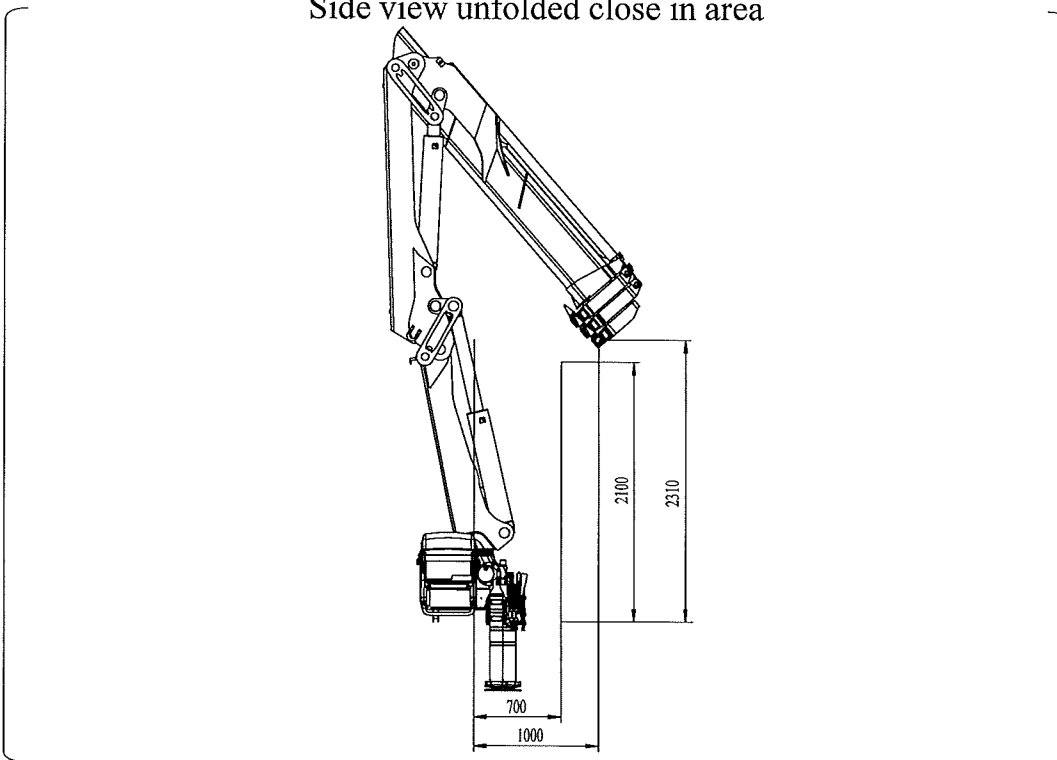
Height stretched diagram



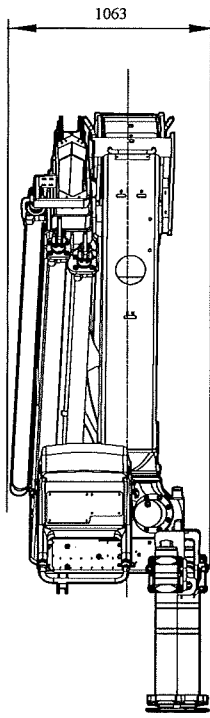
Side view unfolded stretched



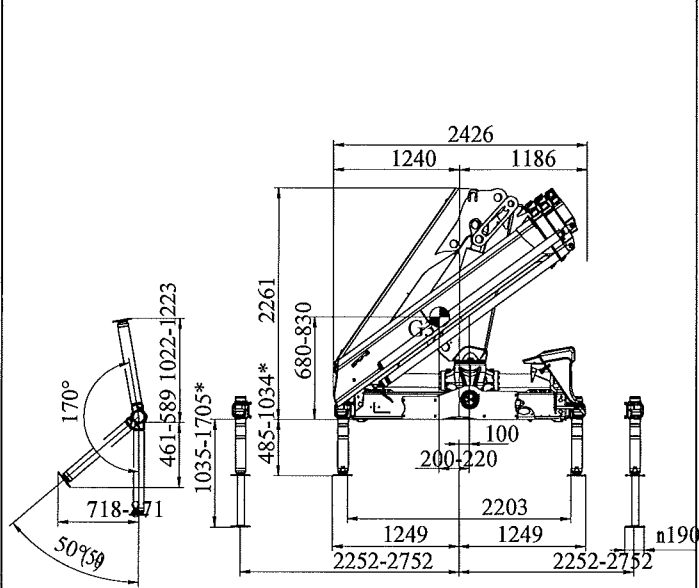
Side view unfolded close in area



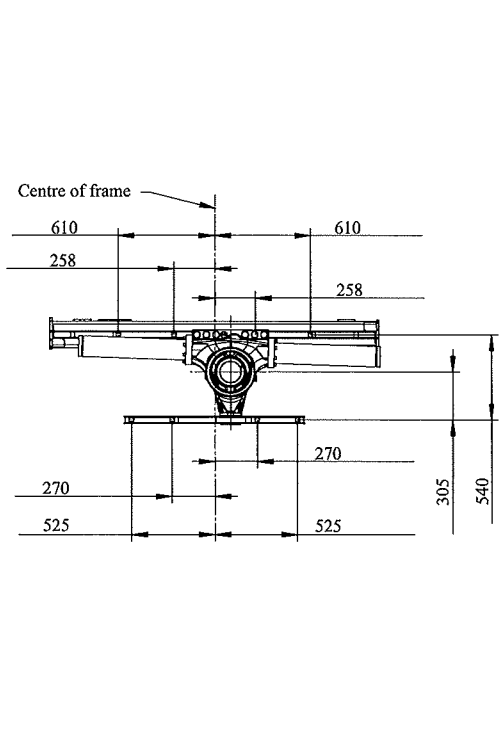
Side view folded



Front view folded



Chassis installation



Top view

